



sq.3™ 5-slider

your lighting rep has
recommended the **sq.3™**
cylinder pendant for your project
Let's take a quick look:



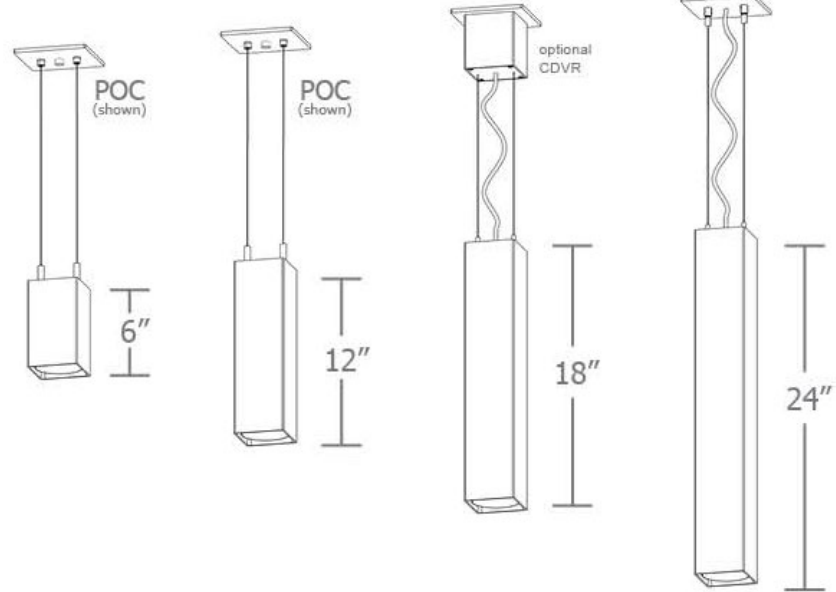
sizes and lumens

P6606

P6612

P6618

P6624



- P6606 (06") / 395 – 2780 lm
- P6612 (12") / 395 – 2780 lm
- P6618 (18") / 395 – 2780 lm
- P6624 (24") / 395 – 2780 lm



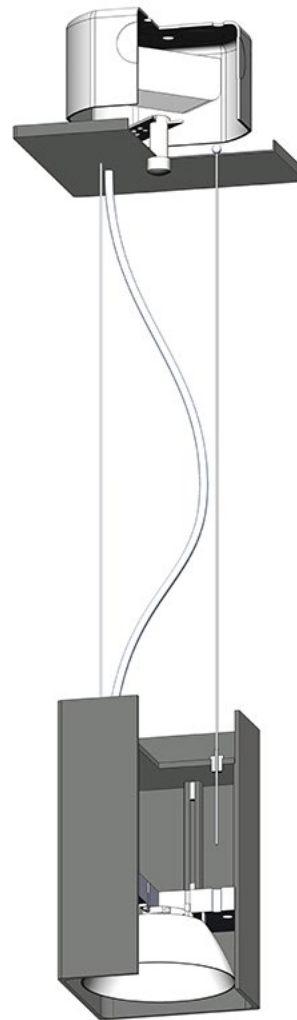
construction

5" square canopy with universal mounting bracket for easy clocking, painted to match fixture

**optional CDVR – canopy mounted driver*

dual stainless-steel ultra-thin cables with field adjustable micro-grippers allowing for exact desired mounting height

(POC) power over cable suspension system option **(not shown)** provides a clean look without the need for a separate power cord



driver mounted in J-box: constant current, field maintainable, universal input (120-277v), 0-10v controllable to 5% dimming
****2-1/8" deep J-box required (by other)**

optional colored cloth power cord in blue, orange, purple, red, or white with gray dot

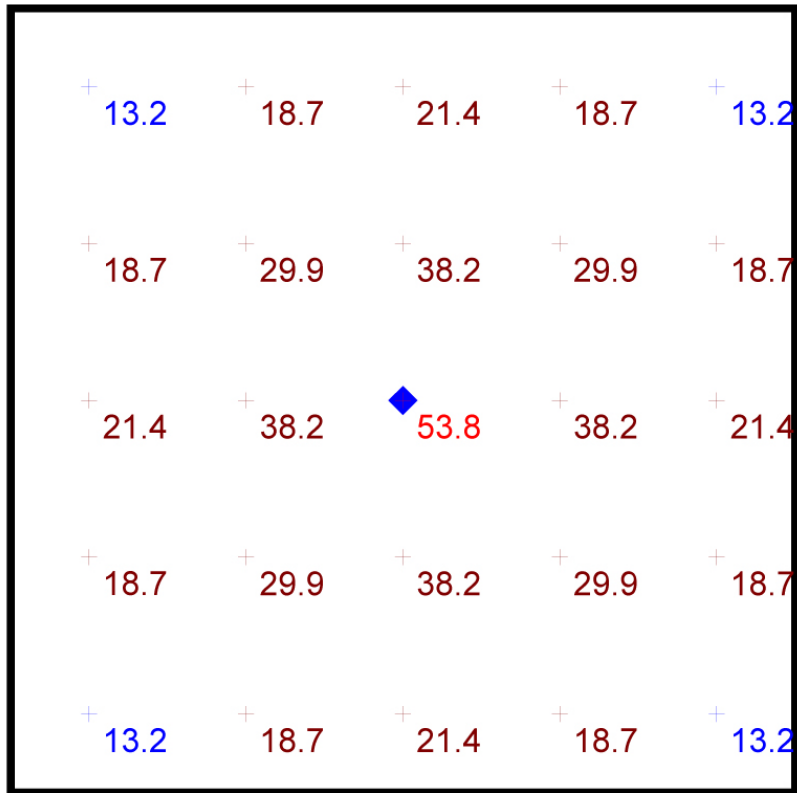
3.5" square smooth extruded aluminum outer housing

15 standard powder coat paint finishes + custom RAL colors

90cri LED COB in 2700K, 3000K, 3500K, and 4000K.
field changeable standard downlight optics: 20° (spot), 30° (med), 50° (wide), 90° (extra wide)

performance

Statistics						
Description	Symbol	Avg	Max	Min	Max/Min	Avg/Min
sq.3	+	24.6 fc	53.8 fc	13.2 fc	4.1:1	1.9:1



Plan View
Scale - 1" = 2ft

- 10' x 10' x 14'H space
- 80/50/20 reflectances
- bottom of fixture at 10' aff
- FC readings at 2.5' aff
- layout conducted using P6606-W (H3) output, 2780 delivered lumens w/ 50° beam spread





www.impactltg.com

- spec sheet and color chart
- photometric files and BIM models
- built to order in Saint Louis, MO, USA
- 4-week lead time

sq.3™ 5-slider

